

PL-55D18E

5MP 18x Low Light Network PTZ



- 1/2.5" Low Light 5MP Sensor
- Max 25/30fps@5MP Recording
- Support Dual Stream Encoding
- IP66 Rating
- DWDR/BLC/2D&3D Noise Reduction



System Overview

PL-55D series high speed dome is a range of competitive 7 inch PTZ with compact design. The series are ideal choices for SMB solutions, such as buildings, factories, schools which are designed for indoor and outdoor.

With pan speed up to 480°/s, and tilt speed up to 240°/s, promise a large video coverage and secured details. It's equipped with cutting edge IR Array LED of up to 150m and rugged casing rated with IP66 and IK 10.

Functions

H.265+

Delivering high quality video with up to 70% lower bandwidth.

H.265+ is the optimized evolution of H.265 and traditional H.264.

The Smart H.265+ includes a series of encoding strategy like Dynamic ROI, smart 2D&3D noise reduction etc to save up to 70% bandwidth and storage.

Harsh conditions

ZKTeco PTZ cameras could run normally in harsh environment, working temperature range from -40°C ~+60°C with 95% humidity.

Technical Parameters

Camera

Model	PL-55D18E	Scanning System	Progressive
Image Sensor	Low light 5MP 1/2.5 inch Sensor	Electronic Shutter	1/2s - 1/20,000s
Lens	18x f=5.35mm ~96.3mm	Min. illumination	Color : 0.1Lux B/W : 0.01Lux (0 Lux when IR on)
		IR Distance	Up to 150 meters

Video

Video Compression	H.265+/H.265/H.264+/H.264	WDR	DWDR
Resolution	5MP(2592x1944)/1080P(1920x1080)/720P(1280x720)/CIF(352X288/352X240)	Day/Night	Auto(ICR)/Color/B/W
Bit Rate Control	CBR/VBR	White Balance	Auto/Manual/Indoor/Outdoor
Bit Rate	Main stream : 64Kbps~1Mbps Sub stream : 32Kbps~2000Kbps	Gain Control	Auto
Audio Compression	G.711a/G.711u(32Kbps)/PCM(128Kbps)	Noise Reduction	2D & 3D DNR
BLC	Supported	Motion Detection	Supported
		Privacy Mask	Up to 4 areas

Optional

Audio I/O	Optional	SD card slot	Optional
Alarm I/O	Optional		

Network

Protocol	RTSP, FTP, SMTP, TCP/IP, UDP, DHCP, RTP, ARP, DNS, DDNS	Max. online User	Main stream : 3 Sub stream : 6
Onvif	Onvif profile S	Web Browser	IE, Chrome, Firefox

P/T

Pan/Tilt Range	Pan: 0°~360°, Tilt: 0°~93°	Ingress Protection	IP66
Pan Speed	0~480°/s	Working Environment	-40 C ~+60 C
Tilt Speed	0~240°/s	Power Supply	DC 12V4A
Preset	220	Lightning Protection	EDS 6000V
Preset Speed	1-64 optional	OSD Menu	Call 95 preset
PTZ Mode	8 tour, 4 pattern, 1 horizontal scan	Default Bracket	Wall mount
Idle Motion	Activate preset/Scan/ Tour if there is no command in specified period	Dimensions	Φ215(mm)×350(mm)
Protocol	Pelco-D, Pelco-P	Net Weight	4.6KG
		Gross Weight	6.1KG

Ordering Information

Type	Part Number	Description
2MP PTZ Camera	PL-55D18E	5MP PTZ camera
	PL-55D18E-M	5MP PTZ camera with alarm and SD slot
	PL-55D18E-A	5MP PTZ camera with audio and SD slot
Accessories	MT01	Corner mount
	MT02	Pole mount
	PB02	Pendant Mount

Accessories

Included:



Wall Mount



DC12V/4A Power Supply

Optional:



PB02 Pendant Mount

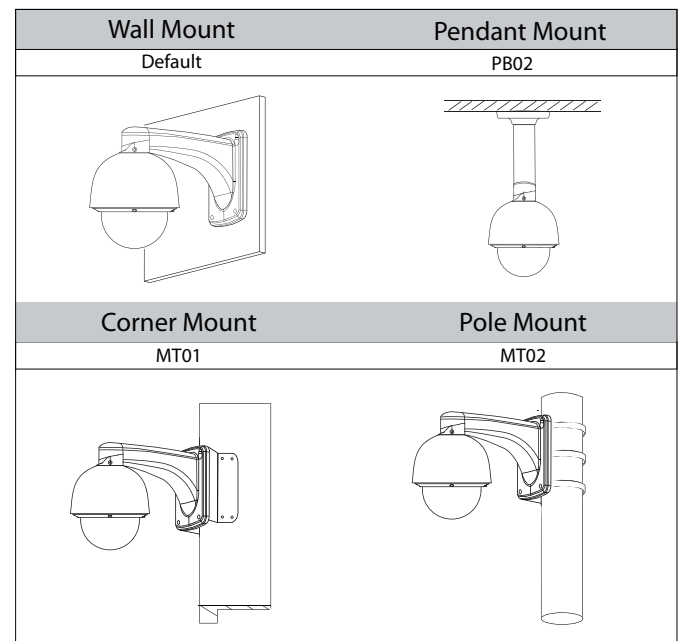
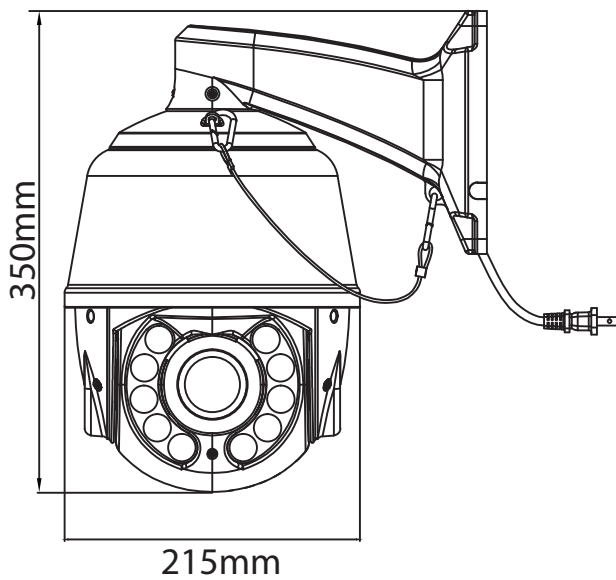


MT02 Pole Mount



MT01 Corner Mount

Dimensions (mm)



More details